

The original C-Series. They've got ballscrews

cone

C SERIES

Built in Finland, home to Europe's highest quality machine exports. These machines are all electric, servo-driven, built to run for decades in most demanding environments. They will last from father to son. As standard, they have powerful, user-friendly programming that even the newest operator can run expertly on their first day.

- All Servo Electric
- Accurate
- Ergonomic
- Ecologically Friendly
- Low Operating Costs
- Easily Integrated Into Production

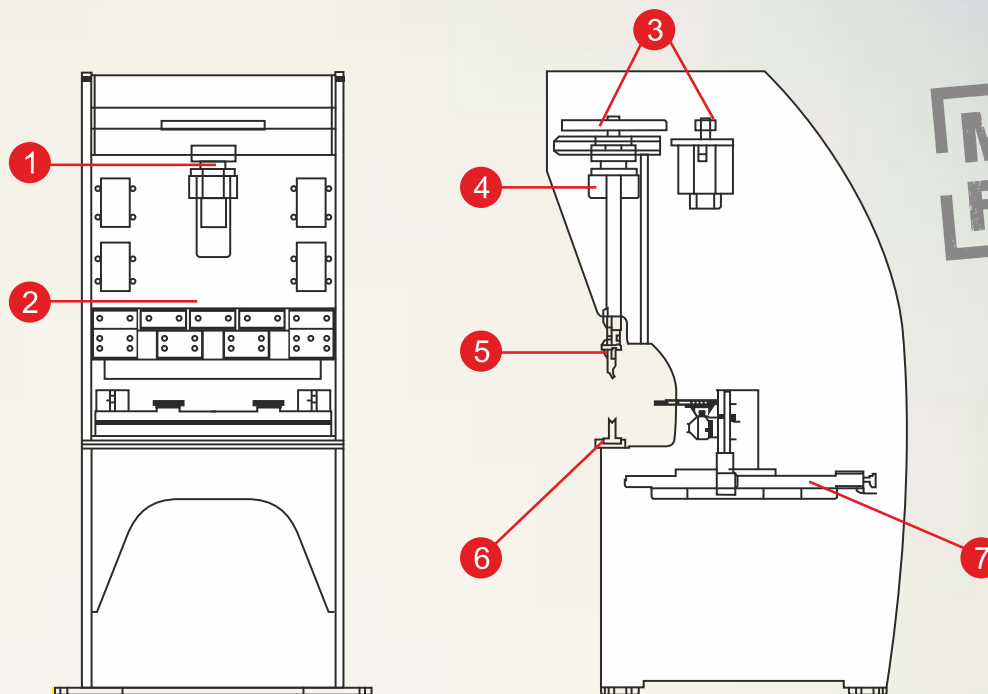
And yes, they've got ballscrews.

More detailed info from the website, or one of our friendly sales persons.



Technical data

- 1** - Bearing
- 2** - Upper ram
- 3** - Servo electric motor
- 4** - Ball-race screw
- 5** - Clamping upper tools
- 6** - Clamping lower tools
- 7** - Linear conductor sledges



Technical Data		Cone C5	Cone C9	Cone C12	Cone C15
Bending force	kN/US tons	220/24	220/24	440/48	440/48
Max. bending length	mm	558	868	1300	1600
Distance between frames	mm	498	808	1230	1530
Throat depth	mm	200	200	150	150
Max. open height	mm	400	400	500	500
Min. open height	mm	250	250	250	250
Table height	mm	825	825	835	835
Stroke length (Y-axis)	mm	150	150	250	250
Y-axis repeating accuracy	mm	+/-0,002	+/-0,002	+/-0,002	+/-0,002
Y-axis bending speed	mm/s	10	10	10	10
Y-axis closing/return speed	mm/s	100	100	100	100
X-axis movement	mm	400	400	600	600
X-axis speed	mm/s	375	375	500	500
X-axis repeating accuracy	mm/s	+/-0,05	+/-0,05	+/-0,05	+/-0,05
R-axis movement	mm	135	135	200	200
R-axis speed	mm/s	100	100	100	100
Main Servo Motor(s)	kW	5	5	2x5,0	2x5,0
Electric connection	V/A	400/3x16	400/3x16	400/3x32	400/3x32
Machine weight	kg	1500	2000	2800	3000
Width, max. (incl. feet)	mm	815	1105	1930	2230
Width, max. frame	mm	560	868	1300	1600
Depth	mm	1200	1200	1560	1560
Height	mm	2100	2100	2280	2280
Control		Omron	Omron	Omron	Omron



COASTONE OY
 TUOTTAJANTIE 27 A 1, 60100 SEINÄJOKI
 FINLAND
WWW.COASTONE.FI